

Owner's Manual

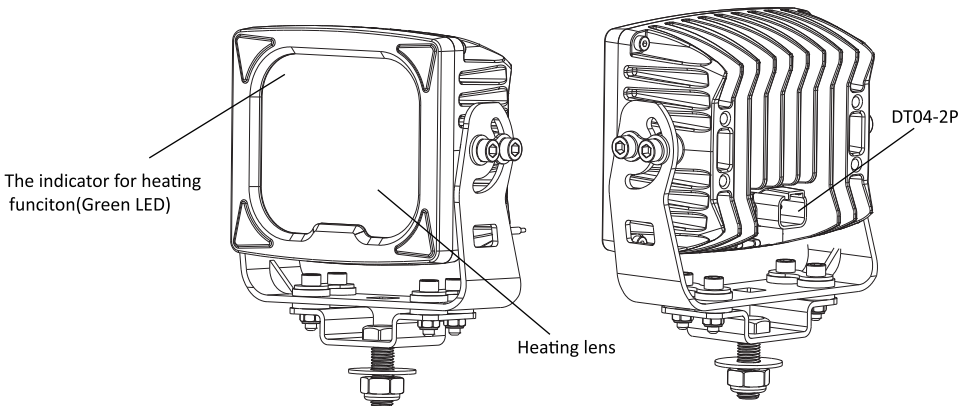
9659H

Snow Melting Work Light



Wiring:

Red: Working "+" / Black: Working "-".



Warning:

1. Work under the specified voltage (DC9-30V).
Disconnect ground connection from battery (marked "-") to avoid accidental short circuits before attempting to connect electrical wires.
2. This light becomes hot under continuous use. Don't remove or touch the casing for at least 30 minutes after turning the lamp off.
3. Keep heat-sink clean and exposed to maintain air flow.
4. The heating function will be activated automatically when the light is on and the green LED indicates that the heating function is working. When the temperature of the front cover reaches approx. 104° F, the heating function is turned off automatically.